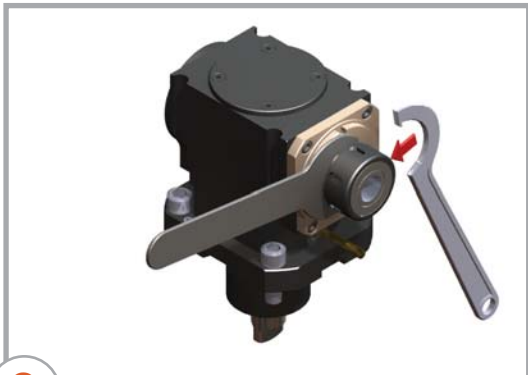


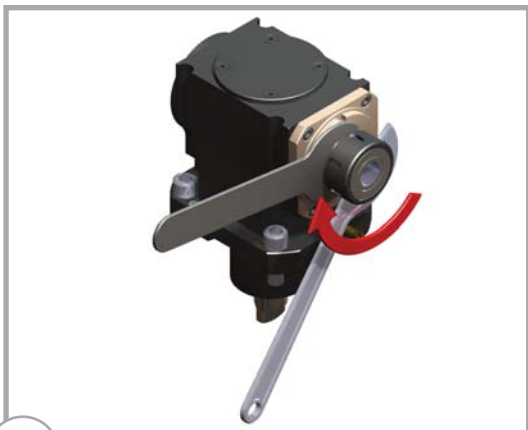
Wrench Instructions



1 Insert spindle wrench behind collet nut. Align spindle wrench with the wrench flats on the spindle.



2 After securing spindle wrench in position, apply collet nut wrench onto collet nut.



3 While holding the spindle wrench firmly, turn the collet nut wrench clockwise to tighten.

Service and Support

Lyndex-Nikken is dedicated to providing not only the highest quality of equipment, but also the highest quality of service and customer care. With over 60 years of experience, our service engineers are looking forward to supporting your needs beyond your expectations.

We fully stock all internal components to provide an expedited and cost-effective maintenance program and rebuild package for your live tooling. Managing a maintenance schedule for all your machine tool accessory components can be challenging, so we'll be glad to remind you when the time comes.

Furthermore, to prevent an interruption in your production schedule, for certain models we can offer a "loaner" live tool while your live tool is under repair.

Warranty:

1 year warranty for internal components

2 year manufacturer warranty on external body

For any service request or inquiry, please contact our service department: (847) 367-4800

